



# SHIP PARTICULARS

## 8K-120

Name	Built	IMO-No.	Flag
Industrial Hobart	2006	9362827	Antigua & Barbuda

### GENERAL INFORMATION

Type	Box-Hold MPP Tweendecker
Class	RINA

### TONNAGE

DWT	7,778 mt
GT	4,990
NT	2,648

### MAIN DATA

LOA	118.55 m
Beam	15.20 m
Summer Draft	7.05 m
Max Speed	14.7 knots

### HOLDS/HATCHES

Number	2 Holds / 2 Hatches
Hold No.1	27.75 x 12.65 x 9.45 m
Hold No.2	54.00 x 12.65 x 9.45 m
Hatch No.1	27.75 x 12.65 m
Hatch No.2	54.00 x 12.65 m

### CARGO CAPACITY

with Tweendeck	9,414 cbm / 332,452 cbft	Bale
----------------	--------------------------	------

### FLOOR SPACE

Under Deck	1,564 m <sup>2</sup>
On Deck	1,024 m <sup>2</sup>
Total	2,588 m <sup>2</sup>

### MAX. PERMISSABLE LOAD

Tanktop	15 mt/m <sup>2</sup>
Tweendeck	3.5 mt/m <sup>2</sup>
Hatchcovers	1.75 mt/m <sup>2</sup>

### CONTAINERS CAPACITY

Total	348 TEU
Reefer Plugs	20

### CARGO HANDLING GEAR

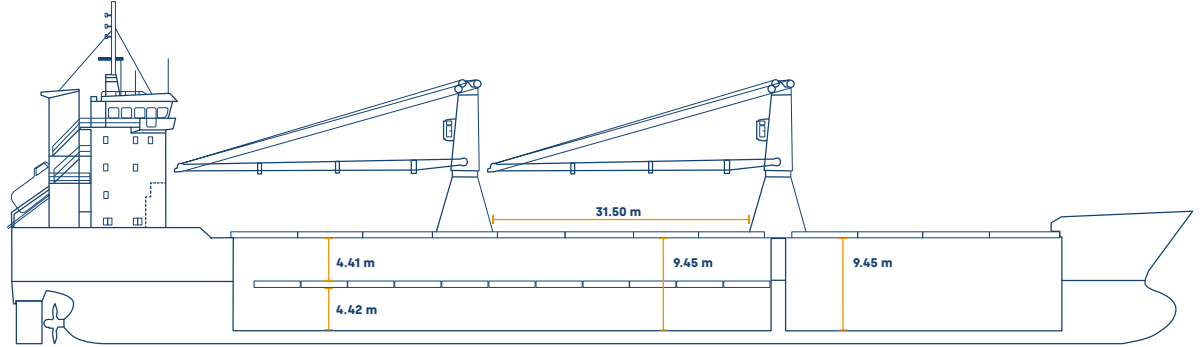
Cranes	2 x 60 mt (portside)
Combined Lift Capacity	120 mt

### SPECIAL EQUIPMENT/FEATURE

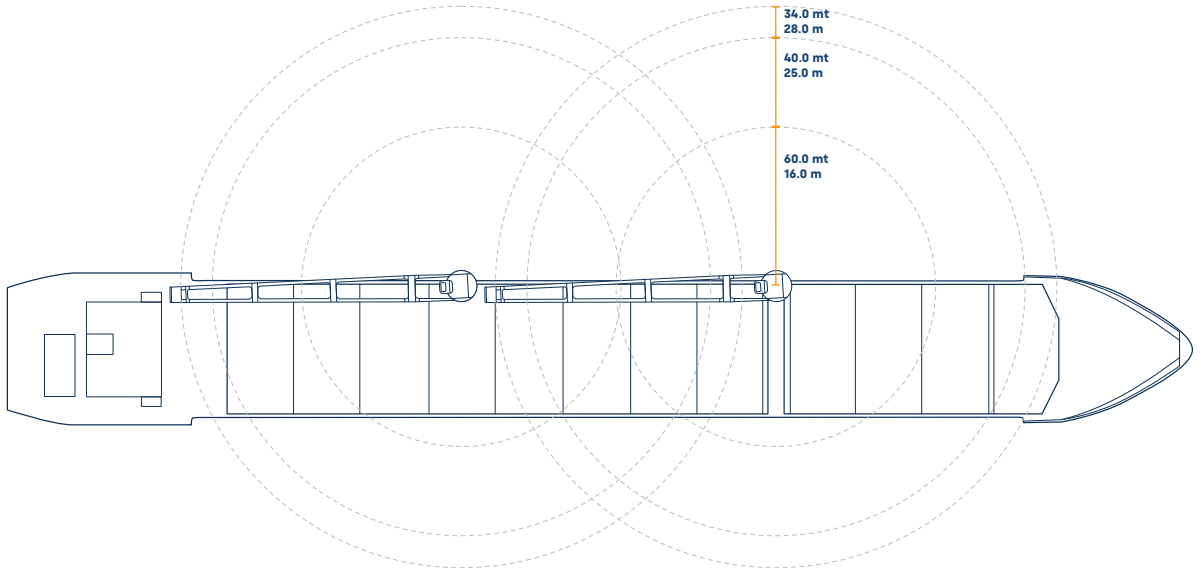
IMO fitted	
Lakes Fitted	Yes
CO2 Fitted	Yes
A60 Bulk Head	Yes
Grain Fitted	Yes
Bowthruster	250 KW

All details including speed are given in good faith and can vary on the individual vessels. They are to be considered „about“, are given without guarantee and must not be used as basis for charterparties or contracts without Intermarine's explicit written authority. For further information, please contact [info@intermarine.com](mailto:info@intermarine.com) // **Last Revised: April 2024**

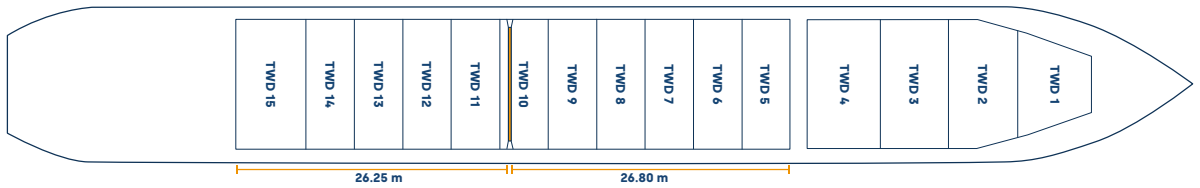
**SIDE**



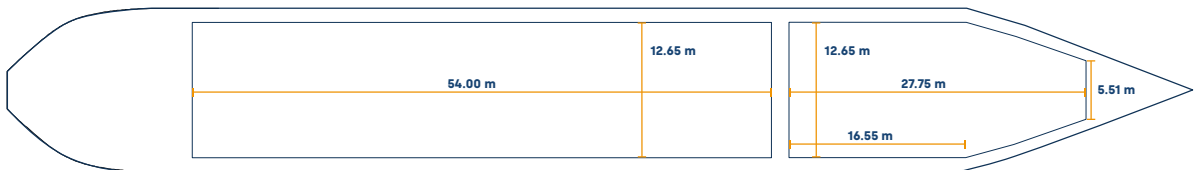
**MAINDECK**



**TWEENDECK**



**TANKTOP**



All details including speed are given in good faith and can vary on the individual vessels. They are to be considered „about“, are given without guarantee and must not be used as basis for charterparties or contracts without Intermarine’s explicit written authority. For further information, please contact [info@intermarine.com](mailto:info@intermarine.com) // **Last Revised: April 2024**